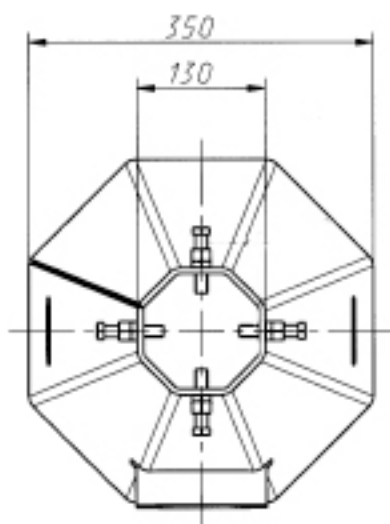
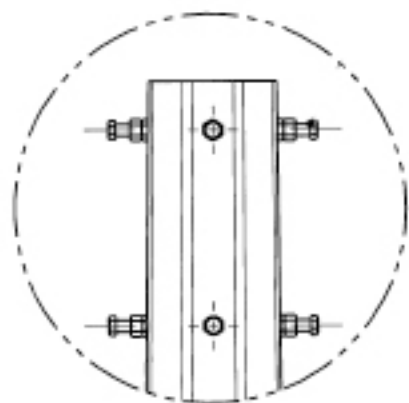


*Вид сверху (1:5)*



*A (1:5)*



*B (1:10)*

